

Get Started



Visit www.huntleylibrary.org
On the top, hover over the
“Online Resources” tab. Click
on “Automotive”.



From inside the library: Click
on the heading titled
“ChiltonLibrary.com”

From home: Click on “this
link” and enter your valid
Huntley Area Public Library
Card Number found on the
back of your library card.



Use the Vehicle Selector box to
search almost 40 different
makes for your specific vehicle.

Vehicle Selector

Select a year:

Select a make:

Select a model:

Download the Chilton App

Download the free app available for
either Apple or Android devices.



Consumer Reports

If you're in the market for a new car, try
Consumer Reports. The library
subscribes to consumerreports.org and
you can access the online information
free with your library card through our
website, www.huntleylibrary.org.

Search thousands of items, including
cars, appliances, electronics, home and
garden, babies and children's items, and
more.



11000 Ruth Road, Huntley, IL 60142

[Information Desk](#)

847.669.5386 ext. 3

reference@huntleylibrary.org

[Website](#)

www.huntleylibrary.org

6.2019

Automotive Repair



Search your year, make & model and
find step-by-step instructions on
an easy-to-use website.





Once you have entered the year, make and model of your vehicle, the box at the right will appear.

From here choose if you are looking for information on repair, maintenance, or any bulletins or recalls for the vehicle specified.

Your Current Vehicle: 2011 Mitsubishi Galant

Data is available for the following:

- Repair
- Labor Estimating
- Bulletins/Recalls
- Maintenance

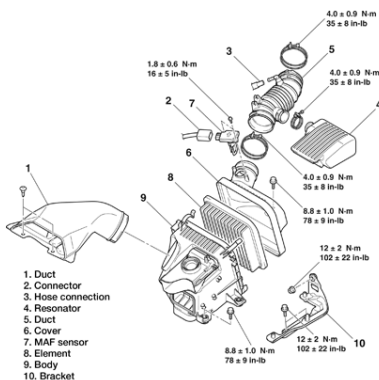
Repair

Your Current Vehicle: 2011 Mitsubishi Galant

[Collapse TOC](#)

- General Information & Identification
- Body
- Brakes
- Chassis Electrical
- Driveline
- Engine Cooling
- Engine Electrical
- Engine Mechanical
- Engine Performance & Emission

Select your repair area to find detailed instructions, including diagrams.



Maintenance

Fill in the fields to find recommended maintenance schedules for your vehicle.

Scheduled Maintenance Intervals

Please select your vehicle configuration from the items below, or from the [full chart list](#).

[Collapse filter](#)

| Vehicle Configuration Filter | |
|------------------------------|-----------|
| Submodel: | SE |
| Fuel Type: | GAS |
| # of Cylinders: | 4 |
| Drive Type: | FWD |
| Body Type: | Sedan |
| Transmission: | Automatic |
| Operating Condition: | Normal |

Enter Mileage

[Look back](#)

[View Full Chart](#)

[Look ahead](#)

Your 37500 mile service under **Normal** conditions includes:

Replace : Engine oil and filter

Rotate : Tires

These recommendations also apply:

Service and Inspect : Air conditioner system Inspect the system operation annually.

Bulletins & Recalls

Locate service or recall information on your vehicle. Click on an item to read specific information pertaining to technical specifications or how to get an item fixed under warranty.

Technical Service Bulletins

Advanced Filter

- ALL Systems
- ALL Symptoms
- ALL Trouble Codes

Quick Search

TSB #

Keyword

[Only Show Recalls](#)

| Technical Service Bulletin (TSB) Description | TSB# | Issue Date | Type |
|---|---------------|------------|------------------------|
| 2011 GALANT FEATURES AND HIGHLIGHTS | TSB-10-00-009 | 7/1/2010 | Technical, Information |
| TOWING ALL WHEEL DRIVE VEHICLES | TT-174-00-001 | 8/1/2010 | Technical |
| NO CAN-BUS COMMUNICATION ON MUT-111 ∓ NO START | TT-175-13-002 | 9/1/2010 | Technical |